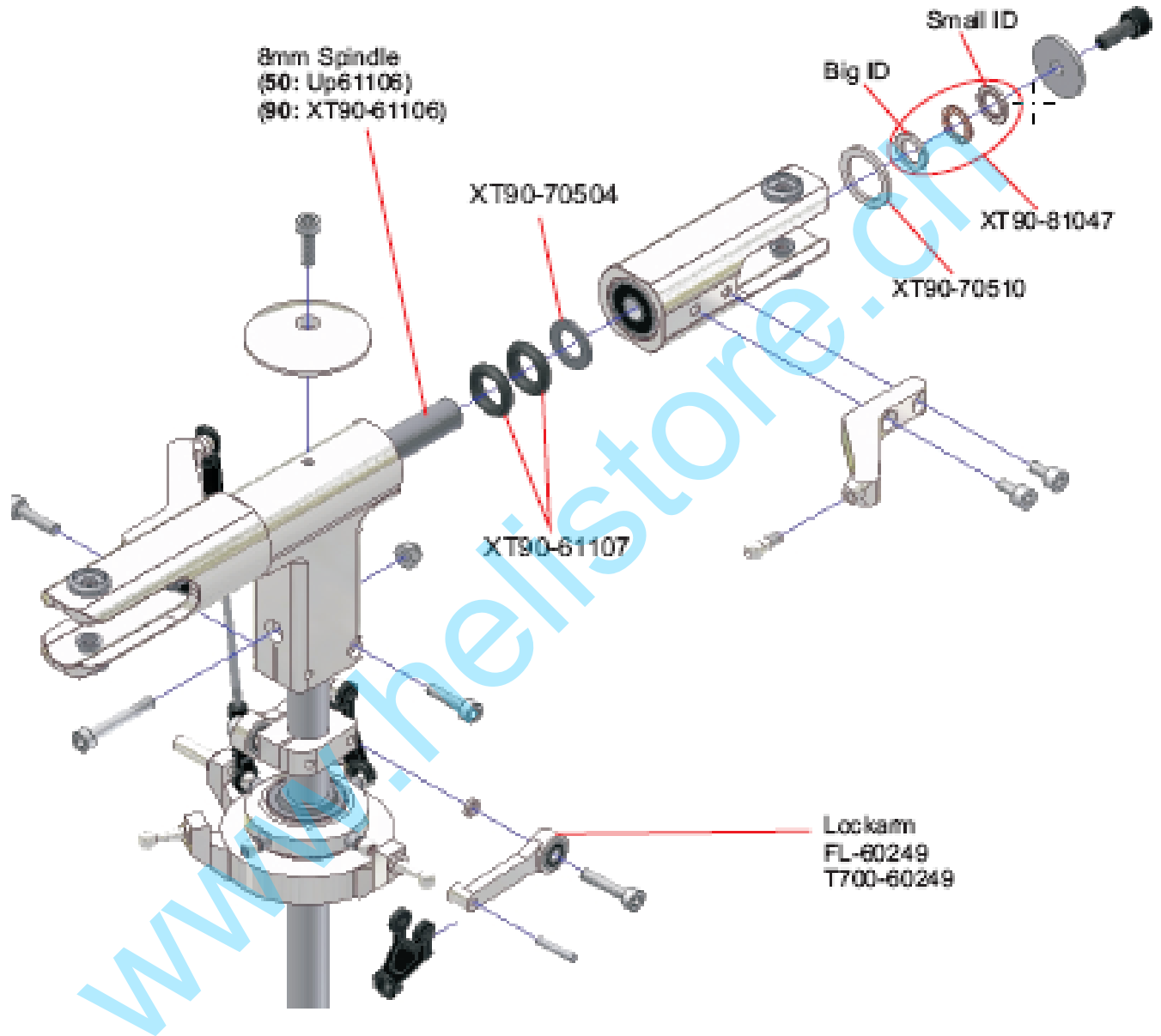


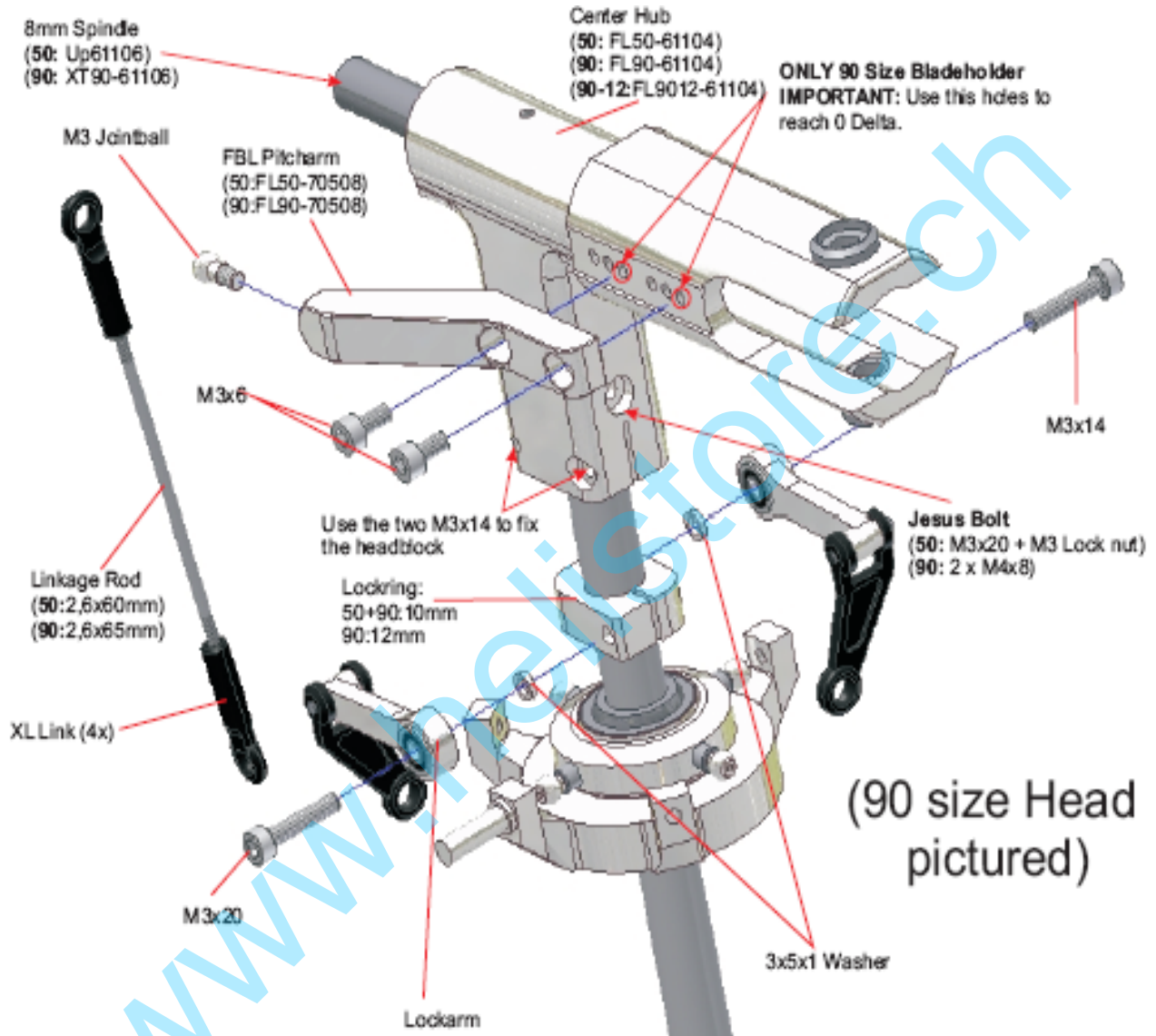
# 50+90(10mm+12mm) Size Flybarless Head Assembly

Dampner and Bearing position are same on 50 size and 90 size Head



(50 size Head pictured)

## 50+90(10mm+12mm) Size Flybarless Head Assembly



Kits delivered with 2x M4x8 to fix the head on the main shaft. Depending on Helicopter and Main shaft this could change.

Use grease for the Thrust bearings in the bladeholder assembly.

**SWASHPLATE AND MAIN SHAFT NOT INCLUDED in the kits.**

## 50 Size Flybarless Head Assembly

<b>XT50 Flybarless list</b>	
<b>Number</b>	<b>Description</b>
FL50-1001	50 Flybarless Assembly
FL50-1002	50 FBL Head Kits
FL-61081 FRP	FBL Gyro Plate for (XT50 &90)
FL-61081Silver	FBL Gyro Plate for (XT50 &90)
FL-61081CF	FBL Gyro Plate for (XT50 &90)
FL-60249	FBL Swashlocker Arm (XT50&90)
FL60013	FBL Swashlocker ( XT 50&90)
FL50-70508	FBL Pitch Arm
UP61105	Main Blades Holder
XT90-81047	Trust Bearing
UP60967	Head stopper
XT90-61107	Rubblor Dample 90c
FL50-1003	linkage Kits( 2sets)
XT90-70510	Trust W asher (big) ( 2pcs)
XT90-70504	Trust W sher ( small)
UP61106	Spindle (8mm)( 2pcs)
FL50-61104	Center Hub

## 90 Size Flybarless Head Assembly

<b>XT90 Flybarless list</b>	
<b>Number</b>	<b>Description</b>
FL90-1001	90 Flybarless Assembly
FL90-1002	90 FBL Head Kits
FL-61081 FRP	FBL Gyro Plate for (XT50 &90)
FL-61081Silver	FBL Gyro Plate for (XT50 &90)
FL-61081CF	FBL Gyro Plate for (XT50 &90)
FL-60249	FBL Swashlocker Arm (XT50&90)
FL-60013	FBL Swashlocker ( XT 50&90)
FL90-70508	FBL Pitch Arm
XT90-61105	Main Blades Holder
XT90-81047	Trust Bearing
XT90-60967	Head stopper
XT90-61107	Rubbler Dample 90c
FL90-1003	linkage Kits
XT90-70510	Trust W asher (big) ( 2pcs)
XT90-70504	Trust W sher ( small)
XT90-61106	Spindle (8mm)( 2pcs)
FL90-61104	Center Hub