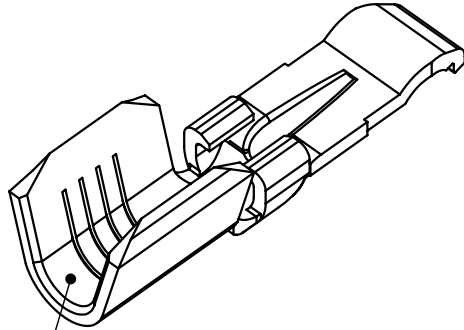
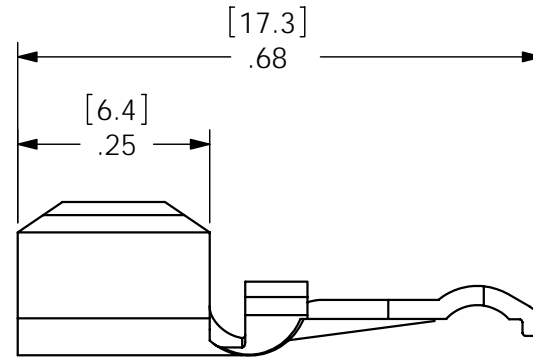
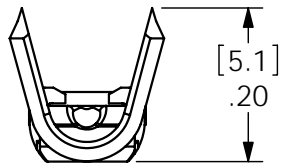
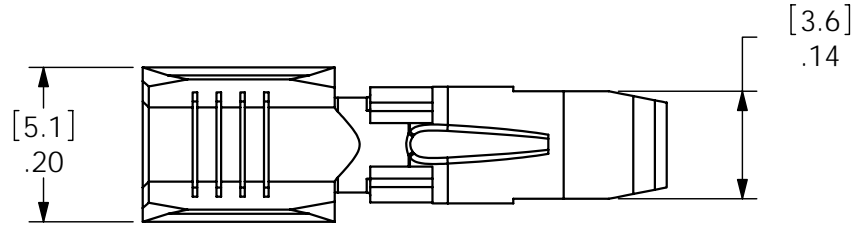


THE INFORMATION CONTAINED IN THIS DRAWING IS THE SOLE PROPERTY OF ANDERSON POWER PRODUCTS. ANY REPRODUCTION IN PART OR WHOLE WITHOUT THE WRITTEN PERMISSION OF ANDERSON POWER PRODUCTS IS PROHIBITED.

REV	DESCRIPTION OF CHANGES	BY:	DATE
2	ECRN: 13212 - REDRAWN	CMS	6/15/99
3	ECRN: 14110 - REDRAWN	AMS	2/28/07



BARREL FOR  
#10-14 AWG WIRE



**10-14 AWG Wire**  
**2.1 - 5,3 mm<sup>2</sup> (max. 6mm<sup>2</sup>)**  
**Helistore Gugolz**

ITEM NO.	PART OR IDENTIFYING NO.	NOMENCLATURE OR DESCRIPTION	MATERIAL SPECIFICATION	QTY RECD
COPYRIGHT 1999 ANDERSON POWER PRODUCTS. ALL RIGHTS RESERVED. UNAUTHORIZED REPRODUCTION HEREBY PROHIBITED.				
DIMENSIONS ARE IN INCHES DIMENSIONS IN PARENTHESES [ ] ARE IN MILLIMETERS		CAD GENERATED DRAWING, DO NOT MANUALLY UPDATE	ANDERSON POWER PRODUCTS	
TOLERANCES ARE: 2PL- ±.02 [±.5]		APPROVALS	DATE	
MATERIALS: <i>COPPER</i>		DRAWN AC	3/11/94	
FINISH <i>HOT TIN DIP</i>		CHECKED DJD	3/11/94	
NEXT ASSY	USED ON	RESP ENG UFN	3/11/94	
APPLICATION	DO NOT SCALE DRAWING	MFG ENG CHB	3/11/94	
		QUAL ENG HN	3/11/94	
		SIZE A	SPECIFICATION: 112718S4	
		SCALE NONE	FILE: CADFILES/01037	
			REV. 3	
			SHEET 1 OF 1	